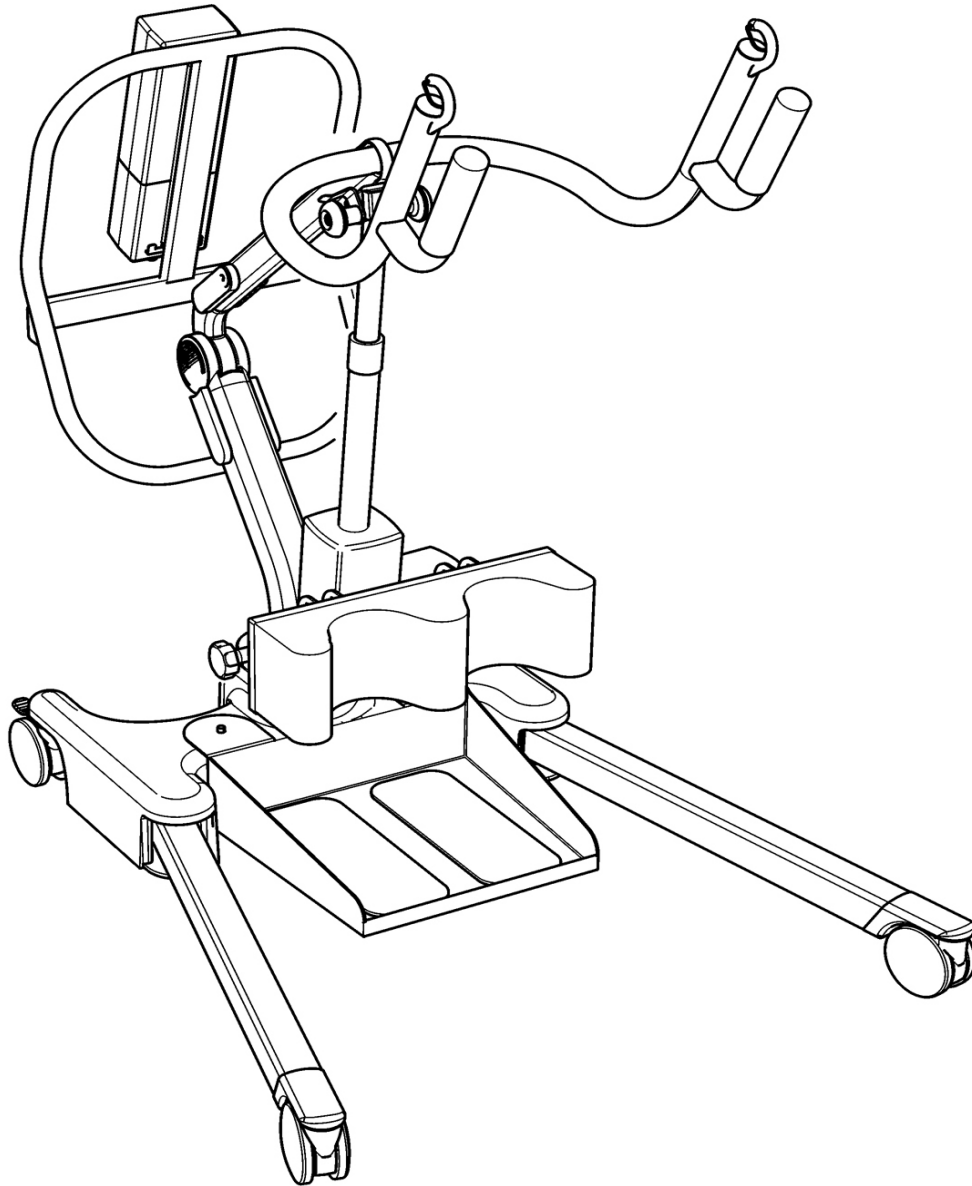


# OXFORD / HOYER ARISE PARTS MANUAL



 **SUNRISE  
MEDICAL**  
Long-Term Care

**Sunrise Medical LTC Limited**

High Street, Wollaston, West Midlands, DY8 4PS

Tel: +44 (0)1384 44 66 22

Fax: +44 (0)1384 44 66 01

[sunmail@sunmed.co.uk](mailto:sunmail@sunmed.co.uk)

[www.sunrisemedical.co.uk](http://www.sunrisemedical.co.uk)

**Sunrise Medical LTC Inc**

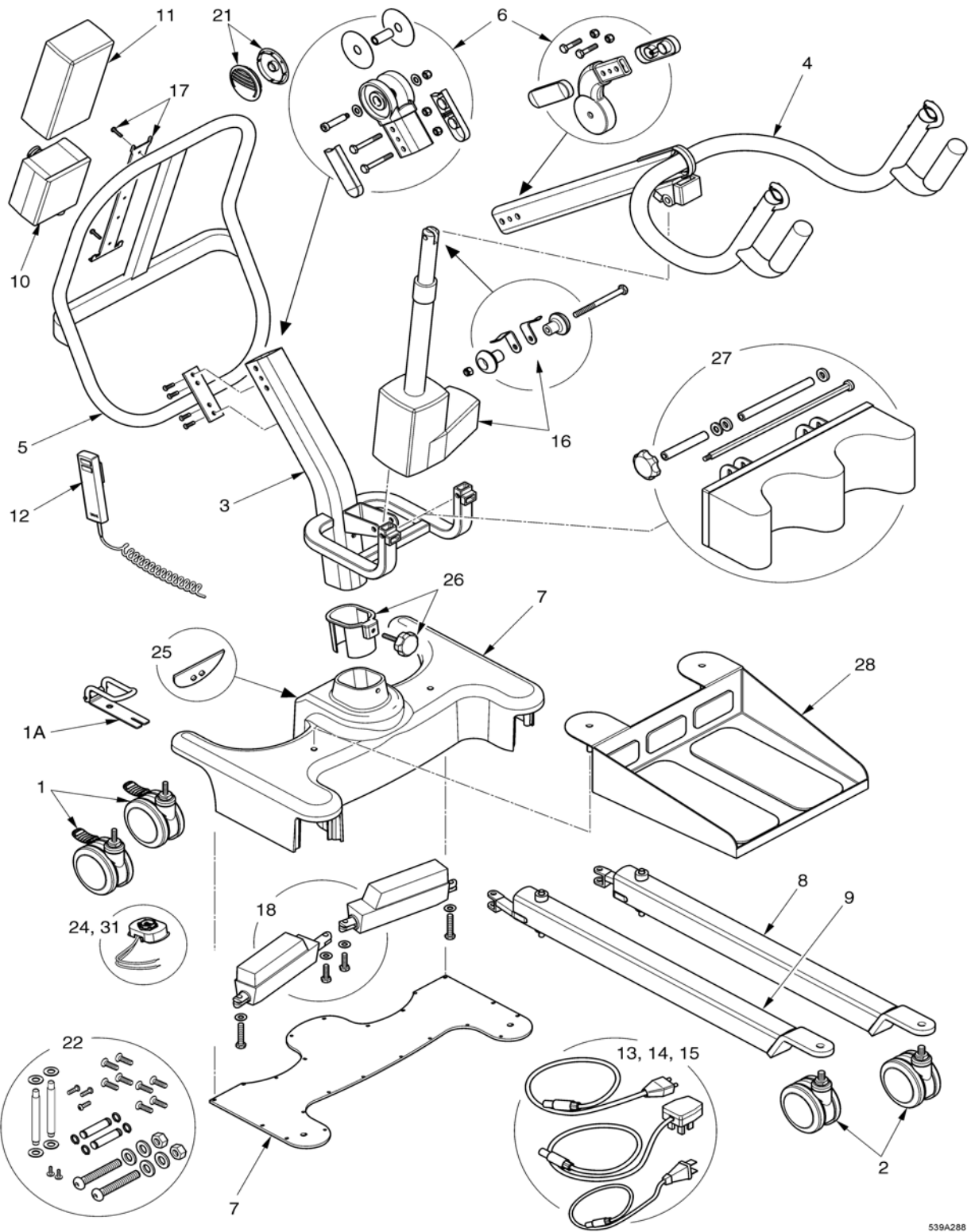
5001 Joerns Drive, Stevens Point

Wisconsin, 54481-5040

Tel: (715) 341 3600

(800) 826 0270 (Toll Free)

# OXFORD / HOYER ARISE



539A288

## OXFORD / HOYER ARISE

N°	PART NUMBER	DESCRIPTION	QTY
1	0Y0066	100mm rear castor (braked)	2
1A	0Y0263	Straight-line steering device	1
2	0Y0073	100mm front castor (non braked) including tightening wrench (wrench not shown)	2
3	0Y0094	Mast extrusion including labels	1
4	0Y0095	Boom extrusion - Cow horn style (including boom end cap)	1
5	0Y0096	Push handle assembly (including bolts & fixings)	1
6	0Y0103	Casted boom to mast pivot joint (including connection bolts/fixings/spacers)	1
7	0Y0092	Base assembly (including labels, base casting and bottom plate, not internal parts)	1
8	0Y0099	Left leg extrusion (including fixings)	1
9	0Y0100	Right leg extrusion (including fixings)	1
10	0Y0353	Linak controller (4 way)	1
11	0Y0067	Linak battery	1
12	0Y0075	Linak hand control (4 way)	1
13	0Y0071	Linak charge lead (UK)	1
14	0Y0114	Linak charge lead (US)	1
15	0Y0072	Linak charge lead (EU)	1
16	0Y0097	Linak actuator - 310mm stroke (inc. location pins, sleeves, washers, nuts and labels)	1
17	0Y0069	Linak battery and controller brackets/fixings	1
18	0Y0093	Linak leg opening actuator - 35mm stroke (including bolts and fixings)	1
19	0Y0104	Decal set (Oxford) not shown - no serial number labels	1
20	0Y0098	Decal set (Hoyer) not shown - no serial number labels	1
21	0Y0126	Sunrise Pivot Caps	2
22	0Y0102	Fixings kit (all bolts, screws and fixings)	1
23	0Y0070	Handset clip (not shown)	2
24	0Y0077	Mast to base electrical connection kit (including wires)	1
25	0Y0078	Foot Push Pad assembly complete	2
26	0Y0112	Mast locking knob assembly (including plastic base insert)	1
27	0Y0105	Knee pad assembly (including all bolts and fixings)	1
28	0Y0101	Foot plate assembly	1
29	0Y0128	Castor tightening wrench (not shown)	1
30	0Y0053	Linak charger and stand assembly (not shown)	1
31	0Y0129	Base to actuator electrical connection kit (including wires)	1
32	0Y0108	Boom to mast pivot plastic caps	2
33	0Y0076	Mast side caps	2